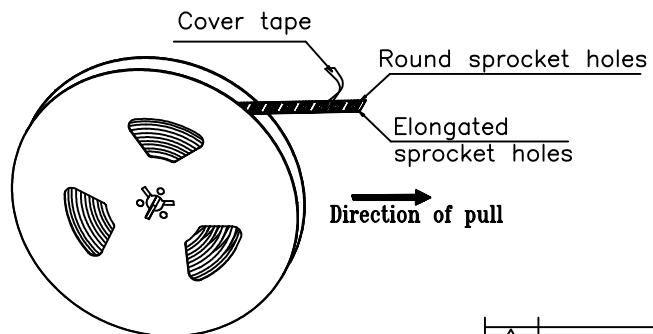
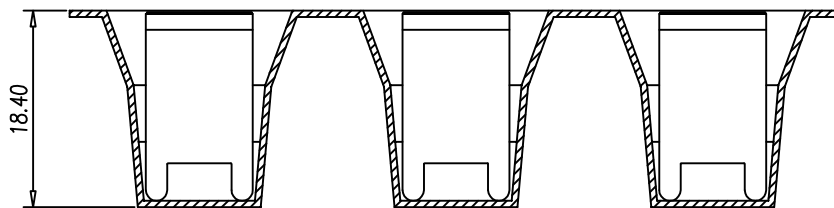
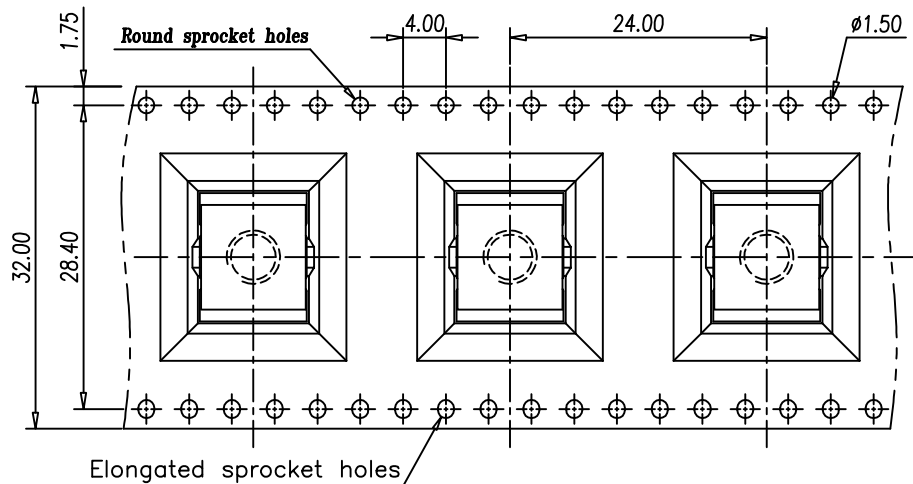
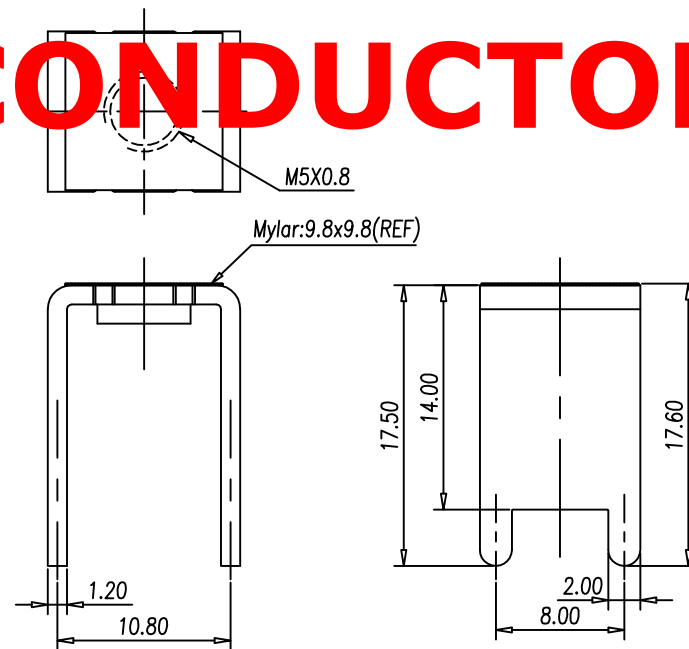


# ESEMPIO DI BUS CONDUCTOR



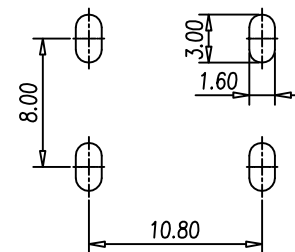
Total Pitch Tolerances		Normal Dimension Tolerances	
0~30	±0.20	0~30	±0.25
over 30~53	±0.25	over 30~53	±0.30
over 53~70	±0.30	over 53~70	±0.35
over 70~90	±0.35	over 70~90	±0.44
over 90~115	±0.44	over 90~115	±0.55
over 115~150	±0.55	over 115~150	±0.70
over 150~200	±0.70	over 150~200	±0.85
over 200~250	±0.85	over 200~250	±1.00
over 250~320	±1.00	over 250~320	±1.20



P/No. P-832-S23052E

NOTES 2:

1. RoHS Compliance.
2. Component load per 15" reel : 200 pcs.



PCB LAYOUT

REV.	CONTENT	NAME	DATE	DWG. SXD	DATE	2018.03.12	UNITS	MM	SHEET/OF	1 / 1	
				CHK.	DATE		SCALE	2:1 ( : )			
				APP.	DATE		NAME	P-832-S23052W			
				DINKLE ENTERPRISE CO., LTD			DWG NO.	SP-03-PS23052W			